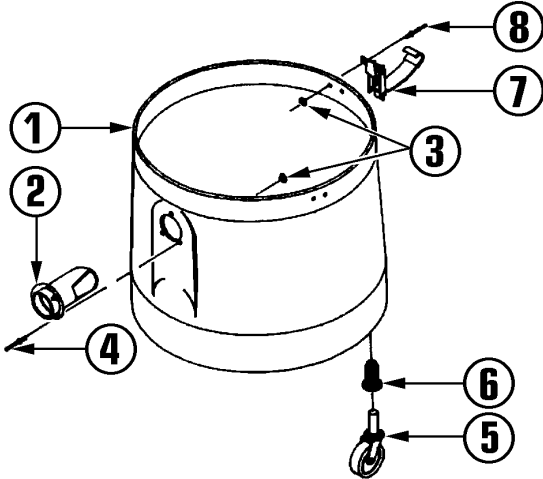


8, 15, & 20 GALLON POLY TANK REPLACEMENT PARTS LIST

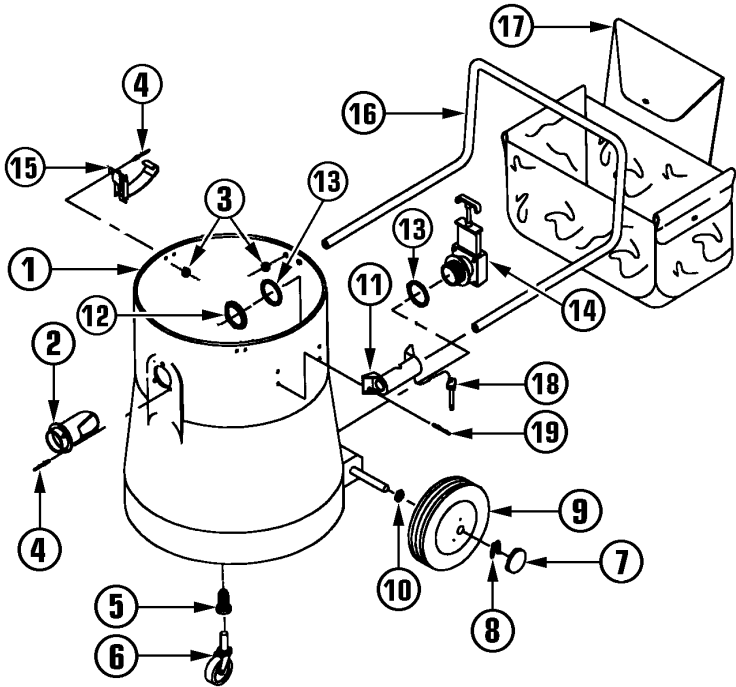
8 GALLON RECOVERY TANK

Ref No	Part Description	Qty	Part No
1	Poly Tank w/o Casters	1	372560
2	Inlet Fitting	1	325406
3	Steel Washer	9	303909
4	Pop Rivet	3	415472
5	2 1/2" Ball Bearing Casters	4	307408
6	Plastic Caster Socket	4	371750
7	Hold Down Clamp	3	358312
8	Pop Rivet	6	374733



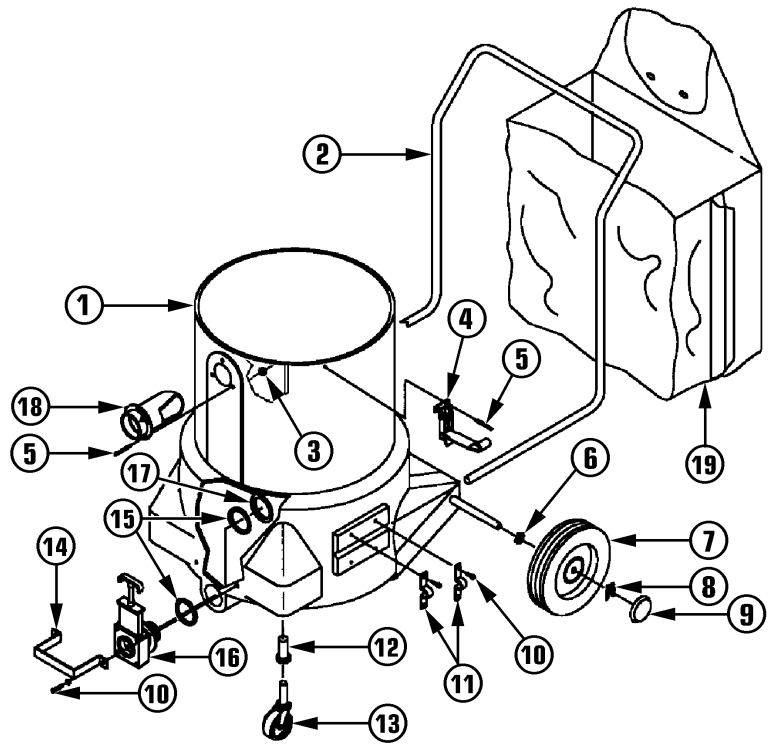
15 GALLON RECOVERY TANK

Ref No	Part Description	Qty	Part No
1	Poly Tank Assembly	1	375640
2	Inlet Fitting	1	325406
3	Steel Washer	3	303909
4	Pop Rivet	3	415472
5	Plastic Caster Sockets	2	371750
6	2 1/2" Ball Bearing Casters	2	307408
7	Hub Cap	2	319317
8	"X" Washer	2	368997
9	8" Wheel w/Hub	2	330396
10	Spring Washer	2	374059
11	Handle Bracket	2	376949
12	Large Nut	1	306789
13	Gate Valve Gasket	2	307602
14	Gate Valve	1	319260
15	Hold Down Clamps	3	358312
16	Chrome Push Handle	1	376906
17	Tool Caddy	1	319198
18	Speed Pin & Ring Assy	2	385182
19	Pop Rivet	14	374733

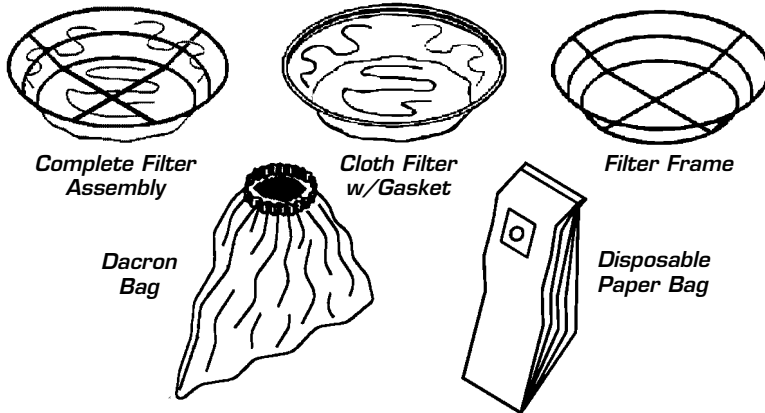


20 GALLON RECOVERY TANK

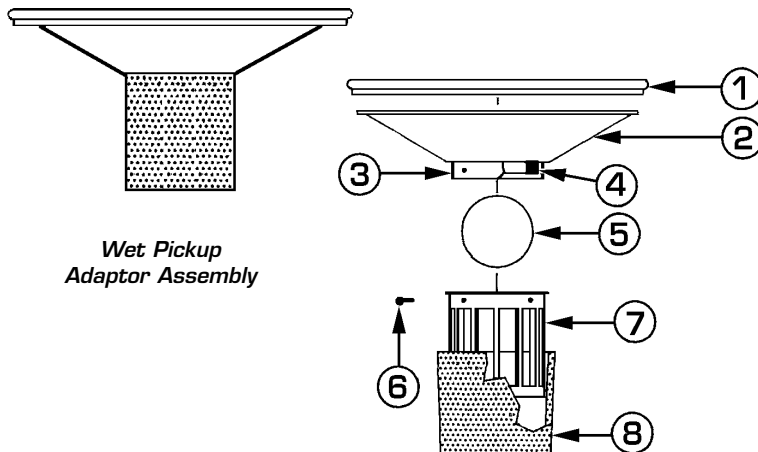
Ref No	Part Description	Qty	Part No
1	Poly Tank Assembly	1	326305
2	Chrome Push Handle	1	315524
3	Steel Washer	3	303909
4	Hold Down Clamps	3	358312
5	Pop Rivet	9	374733
6	Spring Washer	2	374059
7	8" Wheels	2	369004
8	"X" Washer	2	368997
9	Hub Cap	2	319317
10	1/4-20 X 1 1/2" Rd Screws	10	360848
11	Handle Brackets	4	328111
12	Plastic Caster Sockets	2	371750
13	3" Swivel Casters	2	314056
14	Guard for Gate Valve	1	314064
15	Gate Valve Gasket	2	307602
16	Gate Valve w/Hose Connector	1	318442
17	Large Nut	1	306789
18	Inlet Fitting	1	325406
19	Tool Caddy (Optional)	1	354201



DRY FILTERS AND DISPOSABLE BAGS



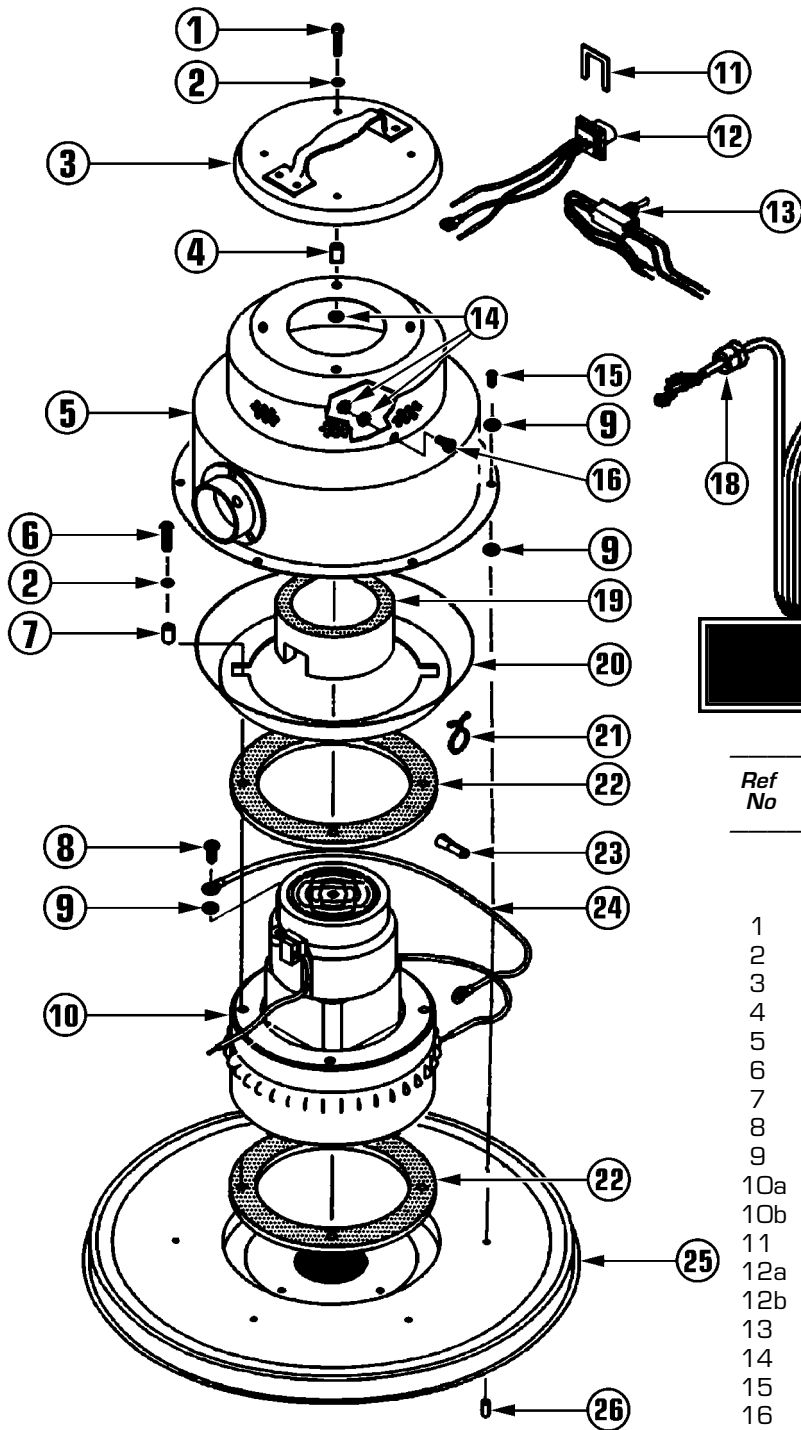
Part Description	Part No
Complete Dry Filter Assembly	378461
Filter Frame Assembly	371696
Cloth Filter w/Gasket	371580
Dacron Clog-Proof Bag	300888
Disposable Paper Bags-5/Pk (8 Gal)	330353
Disposable Paper Bags-5/Pk (15 & 20 Gal)	384496



WET PICKUP ADAPTOR REPLACEMENT PARTS LIST

Ref No	Part Description	Qty	Part No
	Wet Pickup Adapter Assy	1	377295
1	Sealing Gasket	1	376027
2	Wet Pan w/Filter Support and Gaskets	1	371742
3	Filter Support Cup	1	377791
4	Ball Neoprene Gasket	1	338567
5	Float Ball	1	338133
6	Screw	2	309710
7	Plastic Float Cage	1	377775
8	Foam Charcoal Sleeve	1	365300

#12 MOTOR HEAD REPLACEMENT PARTS LIST (14" & 16" DIA)



2 HP BY-PASS MOTOR HEAD

Ref No	Part Description	Qty	Part No
	14" Motor Head Assembly	1	318973
	16" Motor Head Assembly	1	318930
1	#10-24 X 1" Screw	4	335169
2	Flat Washer	6	322164
3	Dome Cover w/Handle	1	363057
4	Nylon Spacer	4	332186
5	Dome Assembly	1	320137
6	#10 X .62 Screw	2	306606
7	Nylon Spacer	2	365084
8	#10-32 X .31 Screw	1	393258
9	#12 Int. Tooth Lockwasher	3	364037
10a	115 Volt, 2 HP Motor	1	389684
10b	230 Volt, 2 HP Motor	1	389692
11	Retainer Cup	1	341932
12a	115 Volt Convenience Outlet	1	341746
12b	230 Volt Convenience Outlet	1	312495
13	Switch Assembly	1	324140
14	#10-24 Hex Nut w/Lockwasher	4	313815
15	#12-14 X 1/2" Screw	6	314595
16	#10-24 X 3/4" Screw	1	337315
17	30 Ft - 16/3 Power Cord	1	306819
18	Strain Relief	1	434299
19	Motor Holddown	1	396559
20	Chimney Gasket	2	387673
21	Purse Lock	1	365483
22	Circle Gasket	1	378607
23	Yellow Wire Connector	4	350648
24	Grounding Wire	1	307440
25a	14" Cover Assembly	1	320110
25b	16" Cover Assembly	1	317888
26	Screw Protector	6	341649