

# QC-1415 Plus Upright Replacement Parts List

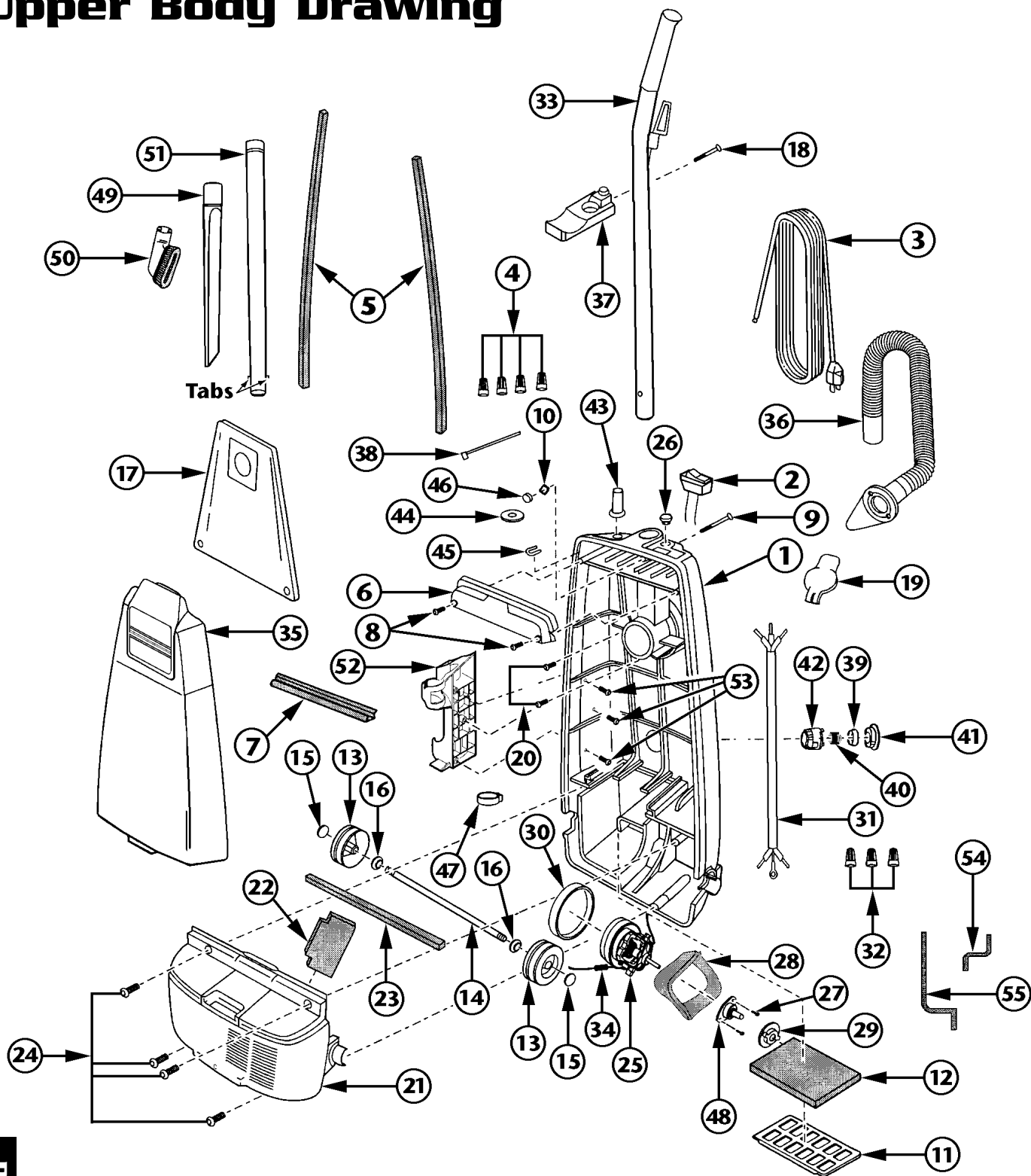


## Section A Nozzle Assembly

<i>Ref No</i>	<i>Part Description</i>	<i>Qty</i>	<i>Part No</i>
1	Furniture Guard Bumper	1	200271
2	Window Cover	1	200298
3	Nozzle Housing	1	200263
4	Plastic Shft	1	489727
5	Nozzle Hose	1	489891
6	Bracket Assembly	1	200328
7	Pedal Spring	1	489786
8	Pedal	1	200336
9	Belt cover Washer	2	200352
10	Pedal Shaft	1	489794
11	Screw	1	488909
12	Brush Set (Includes Spacer)	1	200417
13	Screw	2	489980
14	Screw	4	489662
15	Belt Cover Assembly	1	200344
16	Wheel	2	490008
17	Wheel Shaft	2	289689
18	Upper body	1	200360
19	Agitator Holder	1	200409
20	Body Cap	1	200379
21	Agitator Assembly (Includes: 12)	1	200395
22	Stop Latch Spring	2	489972
23	Belt	1	450170
24	Lower Plate Assembly (Includes: 22/25/26/27/28/29/30)	1	200387
25	Lower Plate Latch	2	488666
26	Lower Plate Packing Gasket	2	200530
27	Lower Plate Packing Gasket	2	488607
28	Lower Plate Packing Gasket	1	200549
29	Lower Plate Packing Gasket	1	200735
30	Lower Plate Packing Gasket	1	200743

# Section B

## Upper Body Drawing





# QC-1415 Plus Replacement Parts List

## Section B Upper Body

<i>Ref No</i>	<i>Part Description</i>	<i>Qty</i>	<i>Part No</i>	<i>Ref No</i>	<i>Part Description</i>	<i>Qty</i>	<i>Part No</i>
1	Housing, Dust (Includes: 38/44/45/46)	1	489514	27	Screw, Ground	1	488410
2	Switch, ON/OFF (Includes: 38/46)	1	489506	28	Suppressor, Noise	1	489182
3	Linecord, 50 Ft, 3 Wire (Includes: 38/44/46)	1	488518	29	Support, Rear Motor	1	200572
4	Nut, Wire	4	489441	30	Support, Front Motor	1	488380
5	Gasket, Dust Housing	2	489433	31	Linecord, Motor	1	488372
6	Cover, Switch	1	489425	32	Nut, Wire	3	489441
7	Gasket, Cover Switch	1	489417	33	Handle, Vacuum (Includes: 18/37)	1	200581
8	Screw, Cover Switch	2	489662	34	Wire Lead, Motor	1	488887
9	Screw, Handle	1	489395	35	Cover, Dust Bag	1	200603
10	Nut, Handle Screw	1	489387	36	Hose, Vacuum Stretch	1	489042
11	Support, Filter	1	489379	37	Holder, Hose	1	200611
12	HEPA Filter, Secondary	1	450154	38	Tie, Wire	1	488852
13	Wheel	2	489352	39	Protector, Motor	1	488305
14	Shaft, Wheel	1	489344	40	Spring, Blue Protector	1	489239
15	Stop, Wheel	2	489336	41	Support, Protector	1	488283
16	Washer	2	489328	42	Case, Protector	1	488275
17	Bag, Paper Filter (12/Pk)	1	450146	43	Relief, Strain	1	488267
N/S	Bag, Cloth Filter (Optional)	1	450162	44	Washer, Flat	1	488259
18	Screw, Hose Holder	1	489069	45	Retainer Cord	1	488240
19	Cover, Inlet	1	489271	46	Gasket	1	488992
20	Screw, Inlet	2	489662	47	Holder, Wand	1	489298
21	Cover, Motor	1	200565	48	Motor Flange	1	200654
22	Gasket, Rear Cover	1	489247	49	Crevice Tool	1	489026
23	Gasket, Motor Cover	1	488445	50	Dust Brush	1	489034
24	Screw, Motor Cover	4	489751	51	Wand, Extension	1	489018
25	Motor, Vacuum	1	489212	52	Holder, Tool	1	200646
26	Cap	1	488429	53	Screw, Tool Holder	1	489662
				54	Right Packing Gasket	1	488984
				55	Left Packing Gasket	1	488976

