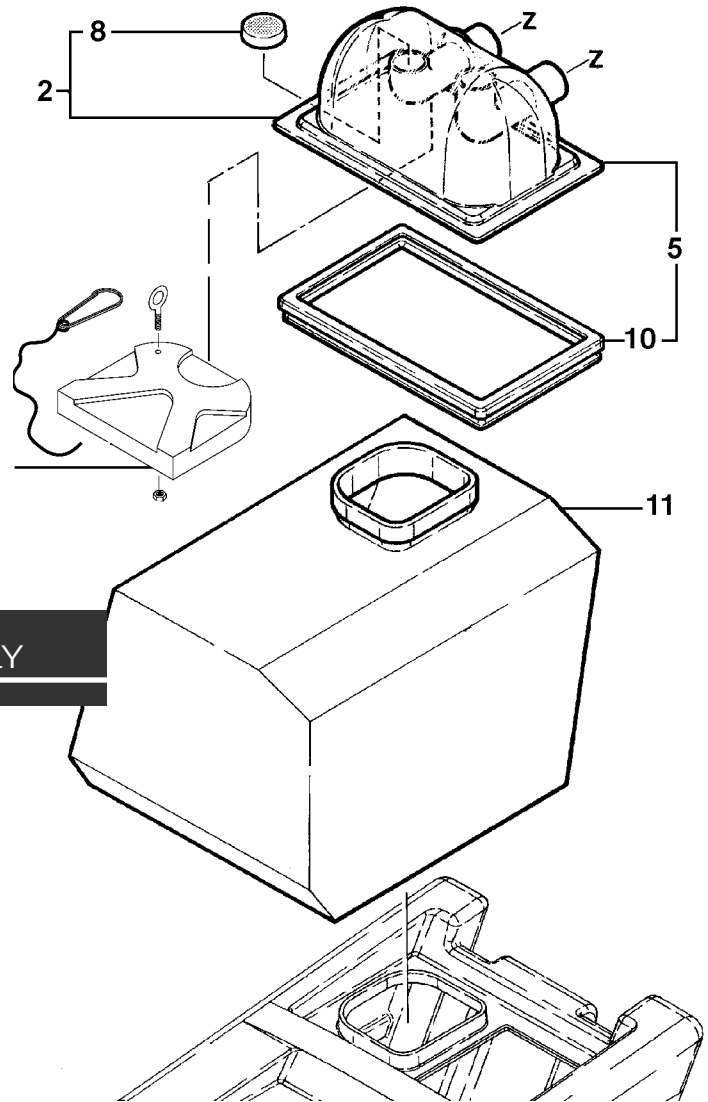


MX-1408 SELF-CONTAINED EXTRACTOR REPLACEMENT PARTS LIST



SECTION 100 - TANK ASSEMBLY

Ref No	Part Description	Part No
2	Dome w/Filter (#2 & 8)	402478
3	Complete Solution Tank Cover	423130
5	Dome w/Filter & Gasket (Includes #2, 8 & 10)	415448
8	Solution Filter	402532
10	Dome Gasket	402540
11	Solution Tank Bladder	402559



Address: 777 South Street ♦ P.O. Box 2310
Newburgh, New York 12550-0606

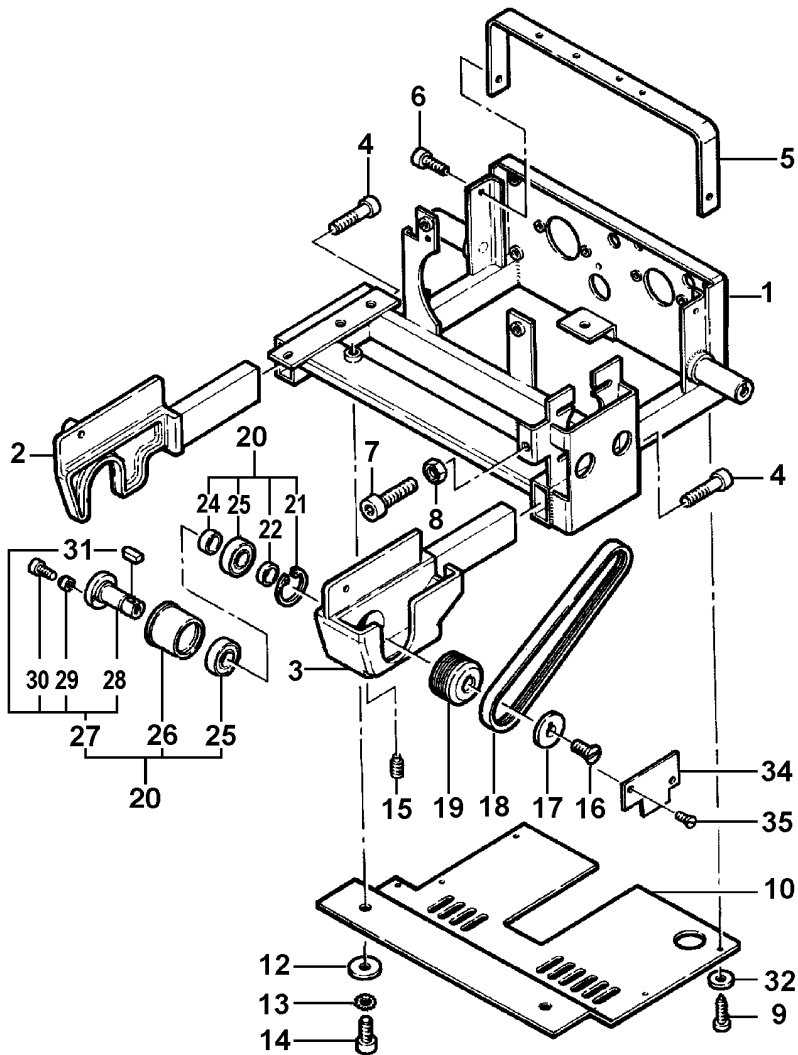
TEL: 800.835.7812 ♦ 845.565.8850

FAX: 800.752-6883 ♦ 845.565.9392

url: www.mastercraftusa.com

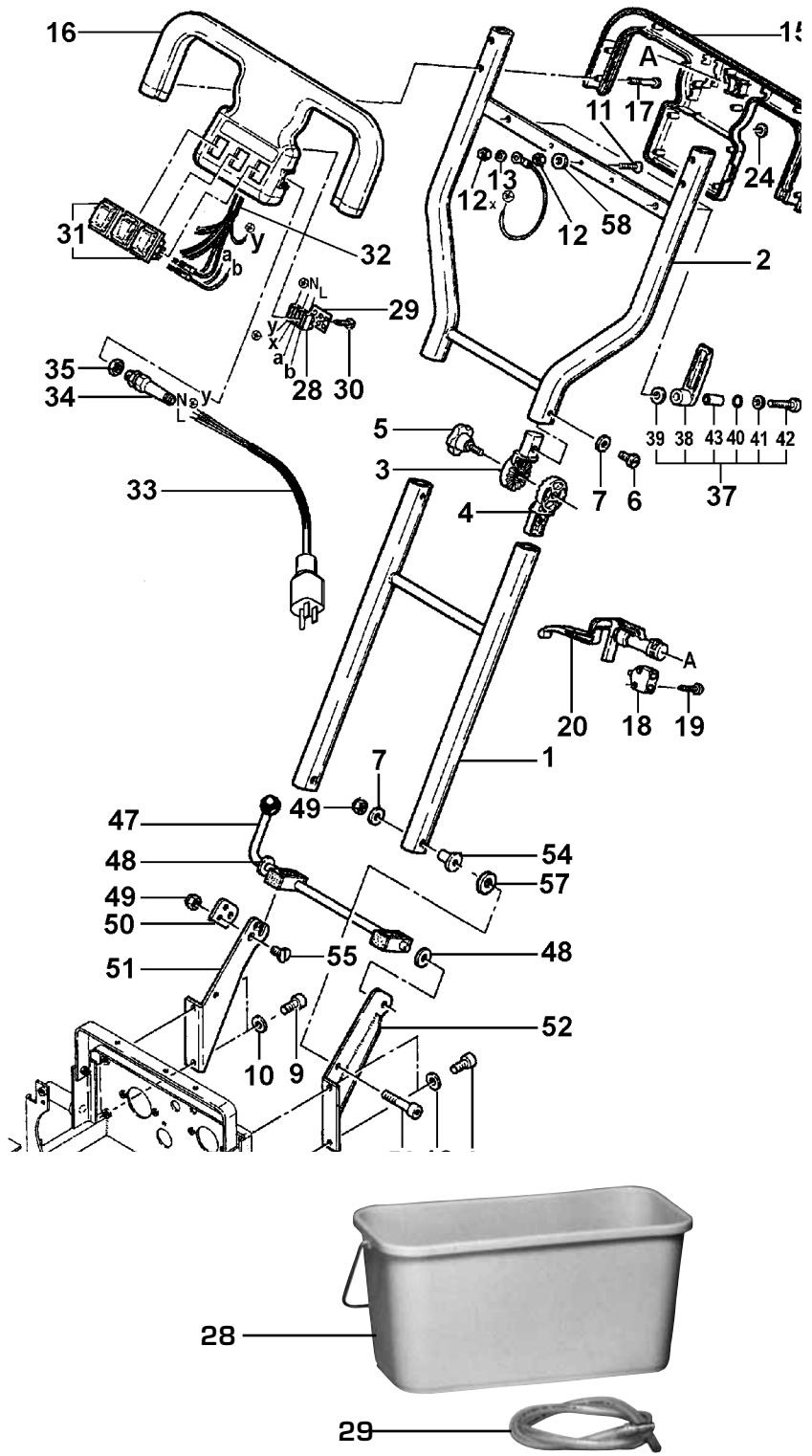
E-Mail: techsupport@mastercraftusa.com

SECTION 200 - CHASSIS ASSEMBLY



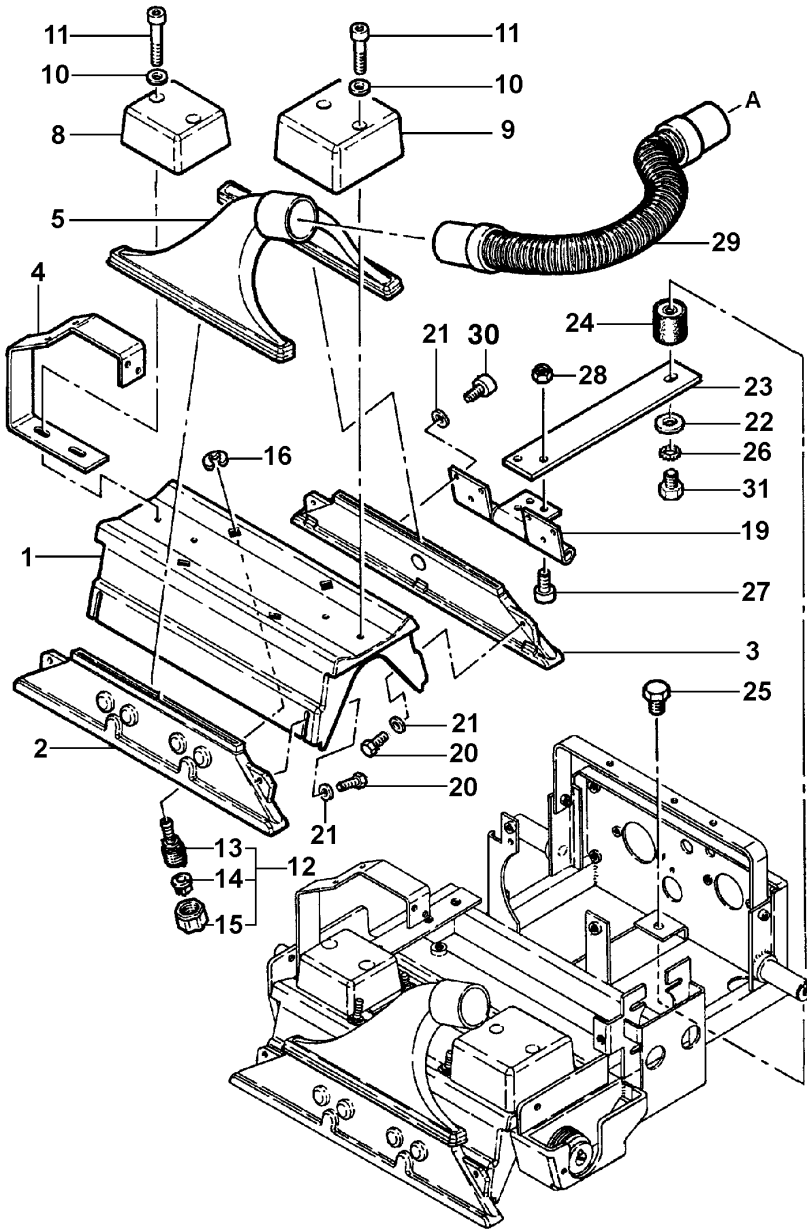
Ref No	Part Description	Part No
1	Complete Chassis Assembly	402567
2	Right Support	402575
3	Left Support	402583
4	M6 X 25mm Hex Screw	404985
5	Frame Bracket	402591
6	M4 X 8mm Hex Screw	404985
7	M8 X 20mm Hex Screw	402656
8	M8 Hex Nut	404888
9	2.9 X 9.5mm Screw	402621
10	Bottom Plate	402648
12	M8 Washer	434329
13	M8 Lock Washer	407208
14	M8 X 20mm Hex Screw	402656
15	M5 X 5mm Set Screw	402664
16	M6 X 12mm Screw	402672
17	30 X 3mm Washer	402680
18	Drive Belt	357030
19	Belt Pulley	404942
20	Axle Assy (#21-31)	402702
21	Retaining Ring	404950
22	8/15 X 4 Spacer Ring	402710
24	13/15 X 6.8 Spacer Ring	402729
25	Ball Bearing	402737
26	Bearing Box	402745
27	Complete Axle (#28-31)	402753
28	Axle	404969
29	7/4.1 X 4 Spacer Ring	402761
30	M4 X 8mm Hex Screw	402788
31	Wedge Key	402796
32	M3 Washer	402818
34	Cover	404977
35	M4 X 8 Screw	404985

SECTION 300 - RECOVERY TANK ASSEMBLY



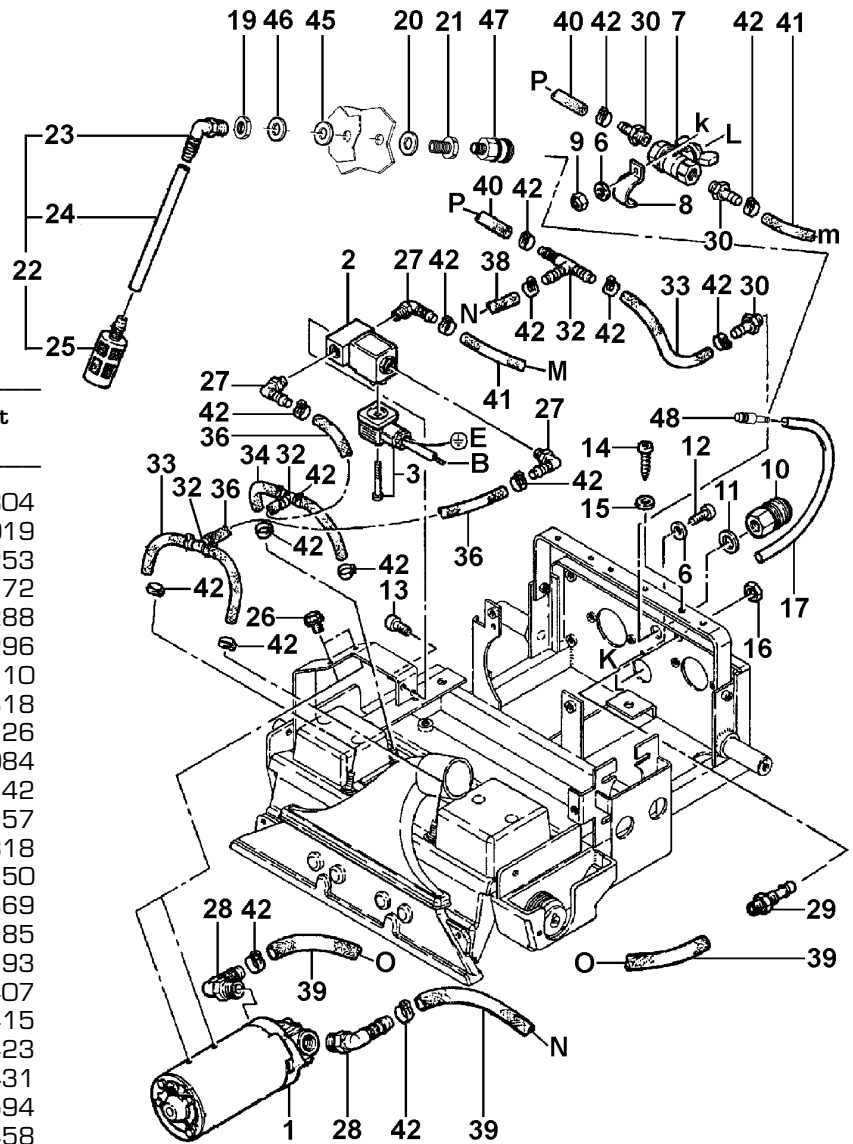
Ref No	Part Description	Part No
1	Recovery Tank	402826
2	Hose Support Assy (#3-6)	402834
3	Hose Support	402842
4	M5 X 12mm Hex Screw	404764
5	M5 Washer	402168
7	Drain Hose Assembly (#8-11)	402869
8	Drain Hose Only	404632
9	45/25 X 80mm Socket	402885
10	Hose Socket Cap	402893
11	39.6mm Hose Clamp	402907
12	Chassis Cover	402915
13	Connecting Ring	402923
14	Round Ventilation Grill	400874
15	Front Handle	439436
16	KA50 X 18mm Screw	402931
17	M6 X 12mm Screw	402958
18	M6 Washer	401641
19	4.8 X 13mm Screw	406066
20	M5 Washer	403172
21	Spacer	423092
22	M5 X 10 Screw	402982
23	200 X 53mm Wheel	402990
24	30 X 3mm Washer	402680
25	M6 X 12 Screw	402672
26	M5 X 12mm Screw	403008
27	M5 Washer	406864
28	Plastic Bucket	427063
29	Purge Hose	427071

SECTION 400 - NOZZLE ASSEMBLY



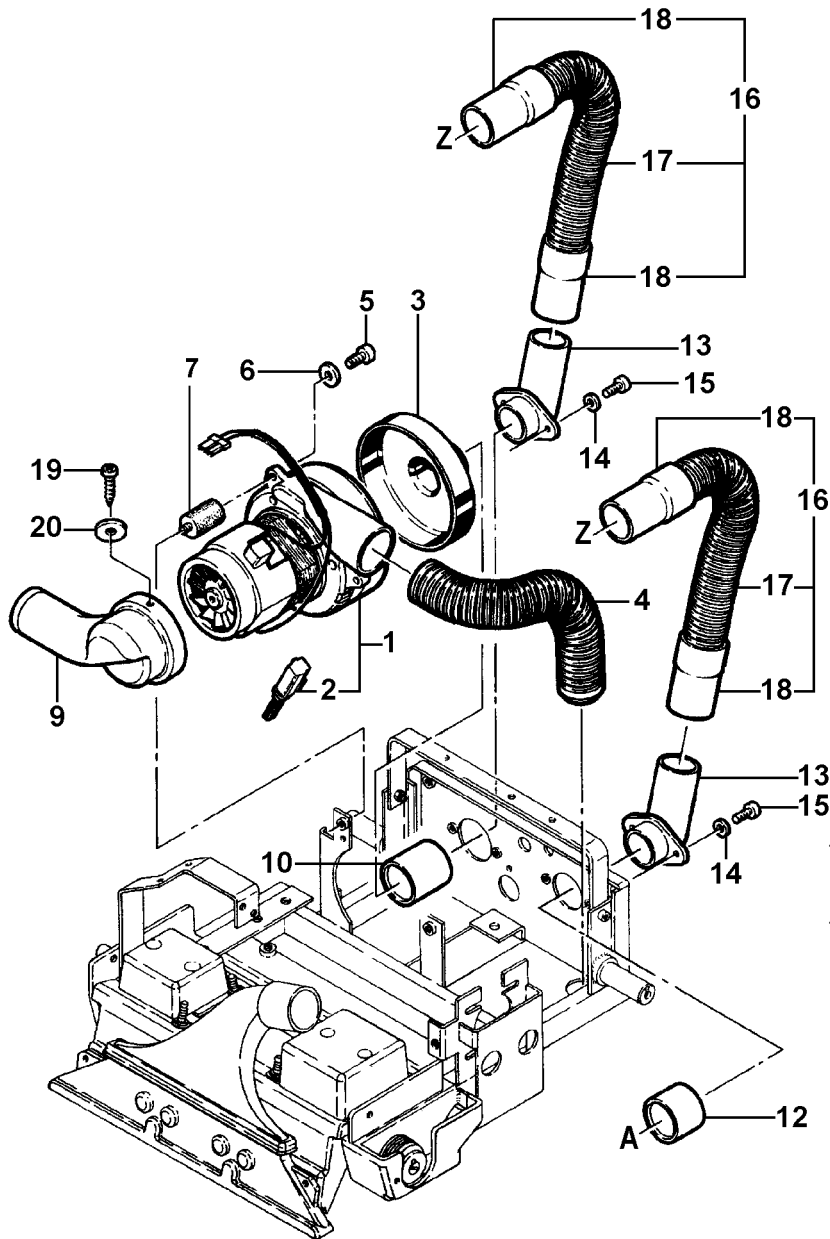
Ref No	Part Description	Part No
1	Brush Canal	403016
2	Front Suction Nozzle	403024
3	Rear Suction Nozzle	403032
4	Pump Holder Bracket	403040
5	Suction Nozzle Adaptor	403059
8	Right Weight	403067
9	Left Weight	403075
10	M6 Washer	401366
11	M6 X 30mm Hex Screw	403083
12	Spray Jet Assy (#13-16)	403091
13	Spray Jet Holder	403105
14	Spray Jet	410993
15	Cup Nut	403121
16	Security Washer	403148
19	Hinge	403156
20	M5 X 12 Hex Screw	403164
21	M5 Washer	402168
22	M8 Washer	405590
23	Lever	403180
24	Round Buffer	403199
25	M8 X 10mm Hex Screw	434337
26	M8 Lockwasher	407208
27	M6 X 16mm Hex Screw	434345
28	M6 Stop-Nut	406635
29	Vacuum Hose	403229
30	M6 X 35 Hex Screw	400858
31	M8 X 16 Hex Screw	406635

SECTION 500 - PUMP ASSEMBLY



Ref No	Part Description	Part No
1	Solution Pump	305804
2	115 Volt Magnetic Valve	457019
3	Magnetic Valve Cable	403253
6	M5 Washer	403172
7	Ball Tap Valve	403288
8	Bracket	403296
9	M5 Stop-Nut	401110
10	Female Qk Connector	403318
11	14/24 X 2mm Washer	403326
12	M5 X 12mm Hex Screw	423084
13	M5 X 8mm Hex Screw	403342
14	KA30 X 10 Screw	402257
15	M3 Washer	402818
16	G ^{1/4} " X 4mm Hex Nut	403350
17	Connection Hose	403369
19	G ^{3/8} " Hex Nut	403385
20	30/17 X 2mm Gasket	403393
21	G ^{3/8} " Fitting	403407
22	Vacuum Hose Assy (#23-25)	403415
23	3/8" Angled Fitting	403423
24	Solution Hose	403431
25	Solution Filter	404594
26	Screw	403458
27	8 - 1/8" Angle Fitting	403466
28	8 - 3/8" Angle Fitting	403474
29	Double Fitting	403482
30	8 - 1/4" Fitting	403490
32	Hose Connector	403504
33	110mm Hose	403512
34	140mm Hose	403520
36	300mm Hose	403547
39	400mm Hose	403555
40	200mm Hose	403563
41	650mm Hose	403571
42	14.5mm Clamp	403598
45	35mm Seal	418978
46	35mm Washer	418951
47	Female QK Connector	404616
48	Male Connector	405647

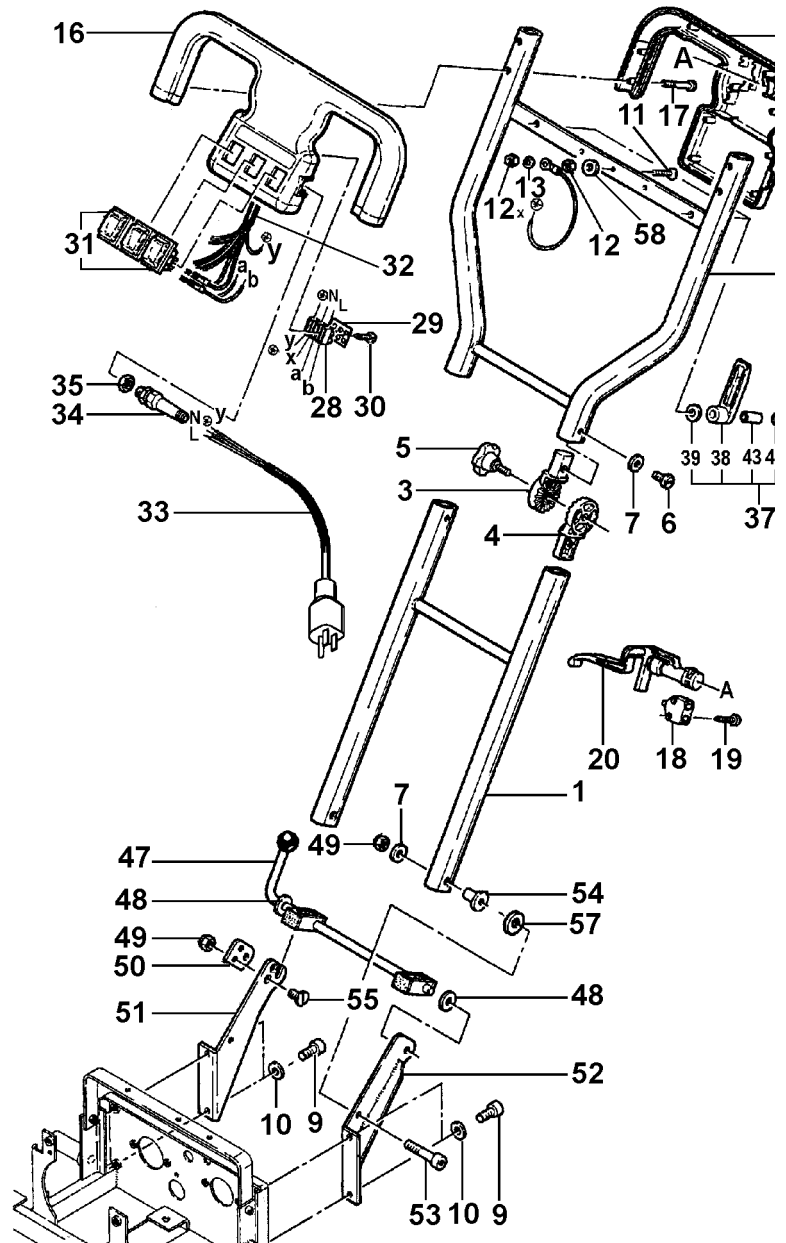
SECTION 600 - VACUUM MOTOR ASSEMBLY



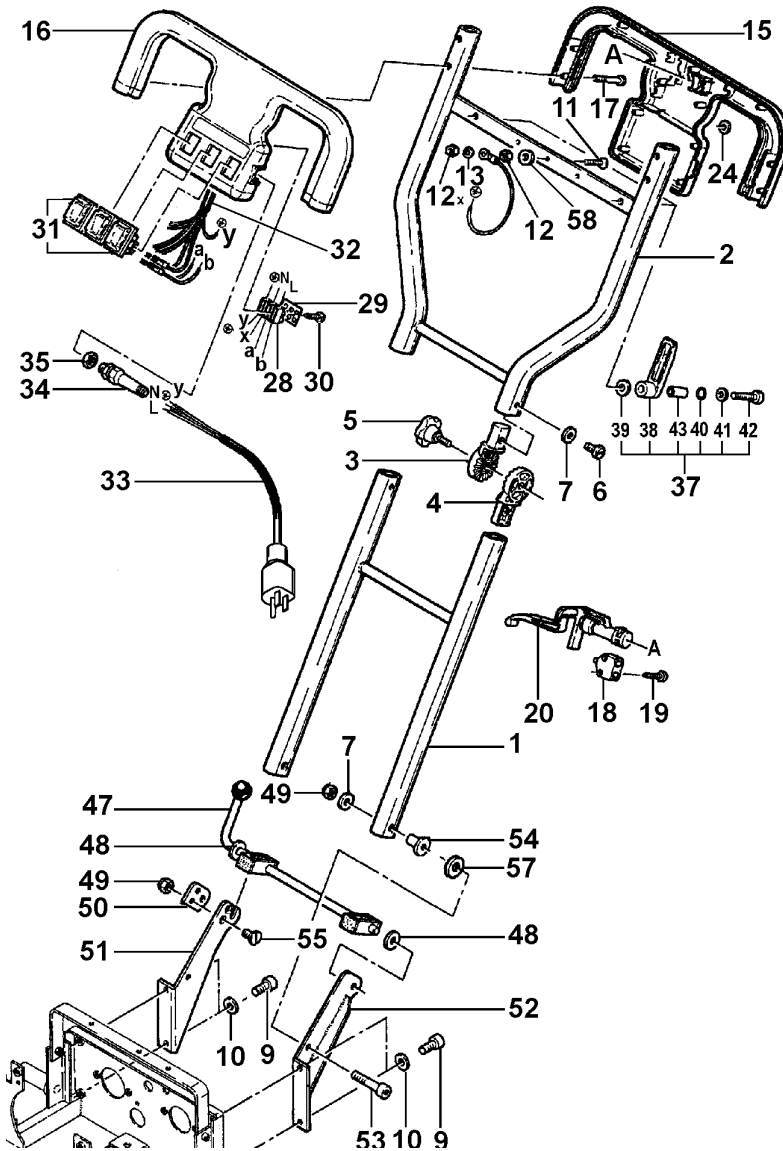
Ref No	Part Description	Part No
1	Vacuum Motor	331708
2	Carbon Brushes (2)	403636
3	Hose Connection Cap	403644
4	Exhaust Hose	403652
5	M6 X 16mm Hex Screw	405507
6	M6 Washer	401641
7	Round Buffer	401668
9	Motor Cooling Tube	403695
10	Connector	403709
12	Socket	403725
13	Connector	405515
14	M4 Washer	405523
15	M4 X 12mm Hex Screw	407593
16	Hose Assembly	403733
17	32mm Hose	403741
18	32mm Cuff	403768
19	2.9 X 9.5 Screw	402621
20	M3 Washer	402818

SECTION 700 - BRUSH ASSEMBLY

Ref No	Part Description	Part Number
1	Brush Motor Assy	403776
2	115 Volt Brush Motor	495573
3	M6 X 10mm Set Screw	403792
4	Belt Pulley	403806
6	Motor Bracket	403806
7	Distribution Box	423106
8	Distribution Box Cover	401811
9	KA30 X 14 Screw	401773
10	Electrical Terminal (4)	401838
12	Power Cord	403849
13	Rubber Grommet	401781
14	115 Volt Relay	377694
15	4 X 8 Rivet	403865
16	M3 Washer	401730
17	M4 X 20mm Cyl Screw	403873
18	M4 Spring Washer	401854
19	M4 Hex Nut	401846
20	Clamp	403881
21	M5 X 16mm Hex Screw	403903
22	M5 Washer	406864
23	Brush Support Assy (#24-31)	403911
24	Brush Support	403938
25	Spring Washer	403946
26	Support Lever	403954
27	M5 X 12mm Screw	403962
28	M5 Washer	403172
29	M6 Washer	401641
30	M6 Stop-Locknut	403970
31	M6 X 45 Screw	403989
32	Standard Brush Assembly	404004
34	Ball Bearing	404020
35	8 X 38 Center Pin	404039
36	50uF Capacitor	404047
37	70uF Capacitor	404055
38	Capacitor Cable	404063
39	Left Angle	404071
41	M3 X 12 Cly Head Screw	404101
42A	Power Protector Relay	437441
42B	Cable Tree	423114
43	M3 Stopp-Locknut	401757
44	3.0 X 10 Rivet	400947
45	8.2K, 5 Watt Resistor	430900
46	5.6K, 5 Watt Resistor	410047



SECTION 800 - HANDLE ASSEMBLY



Ref No	Part Description	Part No
1	Lower Handle Section	404144
2	Upper Handle Section	404152
3	Upper Lever Support	404160
4	Lower Lever Support	404179
5	Screw Knob	404187
6	M6 X 12mm Screw	402958
7	M6 Washer	401641
9	M6 X 12mm Hex Screw	401633
10	M6 Spring Lock	406007
11	M4 X 20mm Screw	404209
12	M4 Hex Nut	401846
13	M4 Spring Ring	401854
15	Rear Handle Section	404217
16	Front Handle Section	404225
17	KA30 X 30 Screw	404233
18	Switch (1 Pole)	404241
19	KA30 x 20 Screw	404268
20	Trigger Assembly (#21-27)	404276
28	Terminal (3)	404357
29	Marking Plate	401927
30	2.9 X 16mm Screw	400599
31	Tumbler Switch	401021
32	Handle Cable	403849
33	Power Cord	404373
34	Strain Relief	423122
35	PG9 Counter Nut	401935
37	Cable Hook Assy (#38-42)	400807
38	Cord Hook	400815
39	6/16 X 1mm Washer	400831
40	O-Ring	404403
41	M6 Washer	401366
42	M6 X 30mm Hex Screw	403083
43	Spacer	400823
47	Adjustment Lever	404438
48	M8 Washer	407070
49	M6 Stopp-Nut	401684
50	Metal Support Plate	404454
51	Right Lever Support	404462
52	Left Lever Support	404470
53	M6 X 35mm Hex Screw	400858
54	Spacer	404489
55	M6 X 12MM Screw	402672
57	M8 Washer	438022
58	M4 Washer	407038