

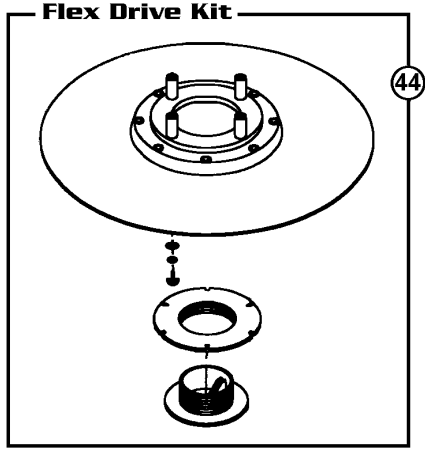
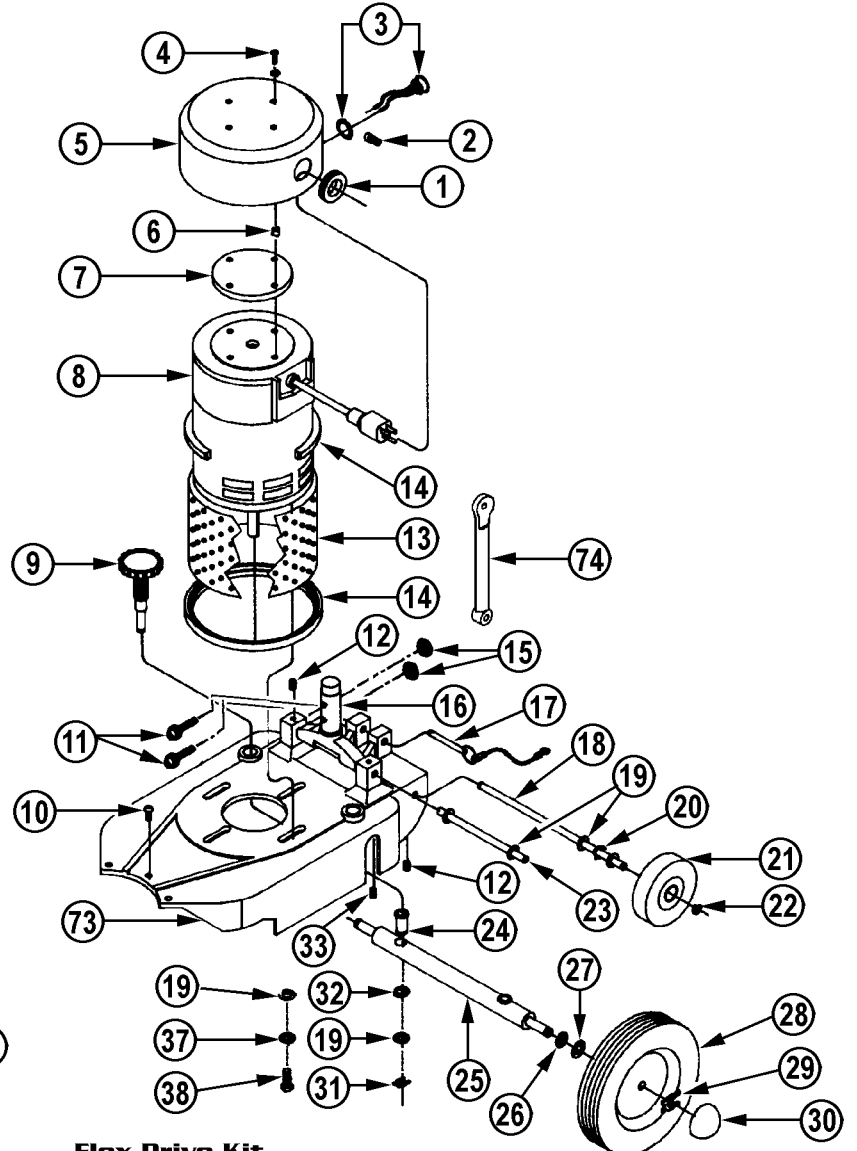
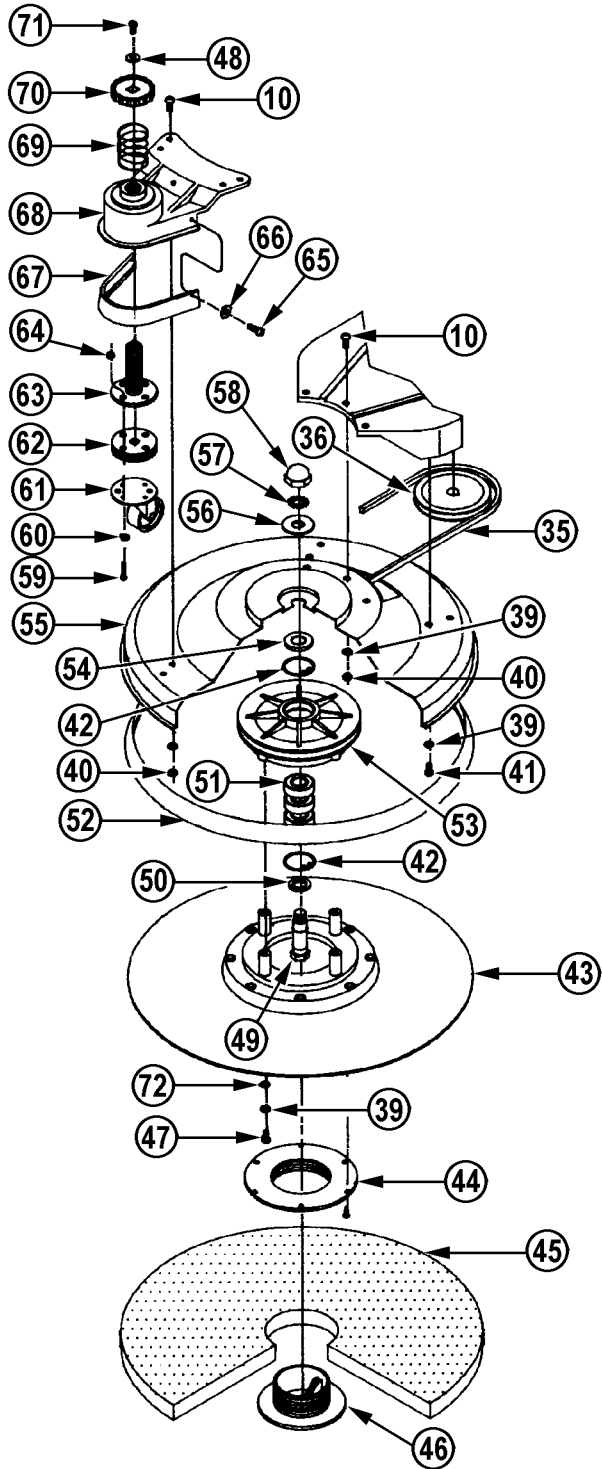


2000 RPM BURNISHER REPLACEMENT PARTS LIST

HANDLE ASSEMBLY PARTS LIST

Ref No	Part Description	Qty	Part No	Ref No	Part Description	Qty	Part No
	Complete Handle Assembly	1	384933	106	Leaf Spring	1	335584
81	Indicator Lamp	1	383066	107	#12-24 X 7/16" Screw	5	376760
82	Control Box Casting	1	384909	108	#12-24 X 1/4" Screw	2	312746
83	#6-32 X 5/16" Screw	2	385360	109	Switch Box	1	376620
84	#10-24 X 1/2" F-Type Screw	2	385379	110	Grey Connector Sleeve	1	355844
85	Relay	1	384135	111	Cord Clamp	1	342890
86	Circuit Breaker	1	384127	112	Complete Strain Relief	1	352705
87	Snap-In-Bushing	1	371998	112a	Brass Bushing	1	390348
88	Switch Box Cover	1	384771	113	Electric Wire Connector	2	350648
89	8-32 X 1/2" Swage Screw	3	385387	114	Pop Rivet	4	318892
90	Vinyl Handle Grip	2	367133	115	Cord Hook	2	352845
91	Handle Bar	1	376612	116	Handle Tube	1	376787
92	Nut w/Ext Tooth Lockwasher	3	376744	117	50 Ft, 14-3 Power Cord	1	376809
93	Internal Tooth Washer	2	355224	118	14-3 Handle Cable	1	430927
94	#6-32 X 1" Switch Screw	2	335576	119	Grommet	1	435252
95	Trigger Switch	1	469629	120	Cap	1	380555
96	Flag Terminal	2	379166	121	Lever Pin	1	382434
97	Trigger Lock Spring	2	383147	122	Bolt	1	380504
98	#8-32 X 1/4" Screw	3	367389	123	Square Hole Flat Washer	1	382426
99	Extension Spring	2	376671	124	Spring	2	367184
100	Roll Pin	4	383139	127	Wing Nut	1	380490
101	Trigger Pin	2	376701	128	Steel Washer	1	353221
102A	Plastic Trigger	2	385654	129	U Clamp	1	376051
102B	Plastic Trigger Kit	1	386839	130A	Clamping Lever	1	380520
103	Trigger Lock	2	390119	130B	Clamping Lever Kit	1	373249
104	Reinforcing Plate	2	387169	130C	Clamping Lever Kit w/U Clamp	1	380822
105	#6-32 X 1/4" Screw	4	349402	131	Wire Nut	1	385425

2000 RPM BURNISHER MOTOR & CHASSIS PARTS DRAWING



2000 RPM BURNISHER MOTOR & CHASSIS REPLACEMENT PARTS LIST

Ref No	Parts Description	Qty	Part No	Ref No	Parts Description	Qty	Part No
1	Grommet	1	369330	42	Bearing Retainer Ring	2	368628
2	Electrical Wire Connector	2	385425	43	Flex Drive Assembly Kit	1	307491
3	Brush Wear Indicator Light	1	386448	44	Center Lock Base	1	390410
4	Canopy Screw	4	380059	45	20" Burnishing Pad	1	386960
5	Motor Canopy	1	385727	46A	Center Lock Clamp	1	390402
6	Nylon Spacer	4	368784	46B	Center Lock Assembly	1	312827
7	Canopy Foam Disc	1	368776	47	1/4-20 X 2 1/4" Screw	4	312819
8A	1 1/2 HP, 115V Ohio Motor*	1	392421	48	Steel Washer	1	380652
8B	1 1/2 HP, 115V Imperial Motor*	1	385662	49	Bearing Bolt	1	374954
9	Adjusting Shaft & Knob Assy	2	372188	50	Bottom Spacer	1	379344
10	1/4-20 X 3/4" Screw	8	342831	51	Bearing	3	368555
11	.31-18 1 1/2" Handle Bolt	2	353272	52	Apron Bumper	1	368490
12	5/16-18 X 3/4" Set Screw	4	352861	53	Sheave & Bearing Casting	1	368636
13	Perforated Motor Screen	1	368814	54	Upper End Spacer	1	374997
14	Perforated Screen Bumper	2	368822	55	Apron	1	385050
15	5/16-18 Hex Nut	2	354791	56	Flat Washer	1	374962
16	"T" Casting	1	368415	57	5/8" Lockwasher	1	367249
17	Speed Pin Wire Assembly	1	345512	58	Acorn Nut	1	375276
18	3/8" X 1 1/4" Axle Shaft	1	368938	59	#8-32 X 1" Screw	4	385131
19	3/8" Flat Washer	8	353221	60	Nylon Washer	2	361054
20	Spring Washer	2	353248	61A	Caster w/Mounting Plate	1	385506
21	4" Rear Wheel	2	353191	61	Caster Assembly	1	384992
22	Retaining Ring	2	368946	62	Gasket	1	385107
23	"T" Axle Shaft	1	368903	63	Mtg Plate Adjuster Screw	1	387150
24	Brass Adjusting Bushing	2	369071	64	#8-32 Steel/Nylon Lock Nut	4	385158
25	1" X 14 13/16" Axle Shaft	1	368989	65	#8-32 X 5/8" Swage Screw	2	374075
26	1/2" Flat Washer	4	315435	66	Flat Washer	2	322164
27	Wave Washer	2	374059	67	Front Wheel Bumper	1	384364
28	8" Rear Wheel	2	316059	68	Front Wheel Casting	1	384321
29	Large "X" Retainer Washer	2	368997	69	Adjusting Spring	1	390356
30	Hub Cap	2	319317	70	Front Wheel Knob	1	384240
31	Small "X" Retainer Washer	2	371289	71	1/4-20 X 1/2" Screw	1	360848
32	Retaining Ring	2	369098	72	Steel Washer	4	380970
33	5/16-18 X 3/8" Set Screw	2	390275	73	Body Casting	1	385697
35	V-Belt	1	384143	125	Support Strut Casting	1	354570
36	Motor Pulley	1	384151	N/S	Sheave Kit	1	377899
37	3/8" Lockwasher	4	368849	N/S	Carbon Brush for Ohio Motor*	3	380083
38	3/8-16 X 1" Motor Bolt	4	368830	N/S	Carbon Brush for Ohio Motor*	1	316954
39	1/4" Split Washer	11	342858	N/S	Carbon Brush for Imperial Motor*	4	386790
40	Hex Nut	8	322377	N/S	Rectifier Only	1	341991
41	1/4-20 X 1/2" Screw	4	393916	N/S	Rectifier w/Compound	1	378321

* Burnishers equipped with Ohio Motors have an "X" after the serial number.

2000 RPM BURNISHER HANDLE ASSEMBLY PART DRAWING

