

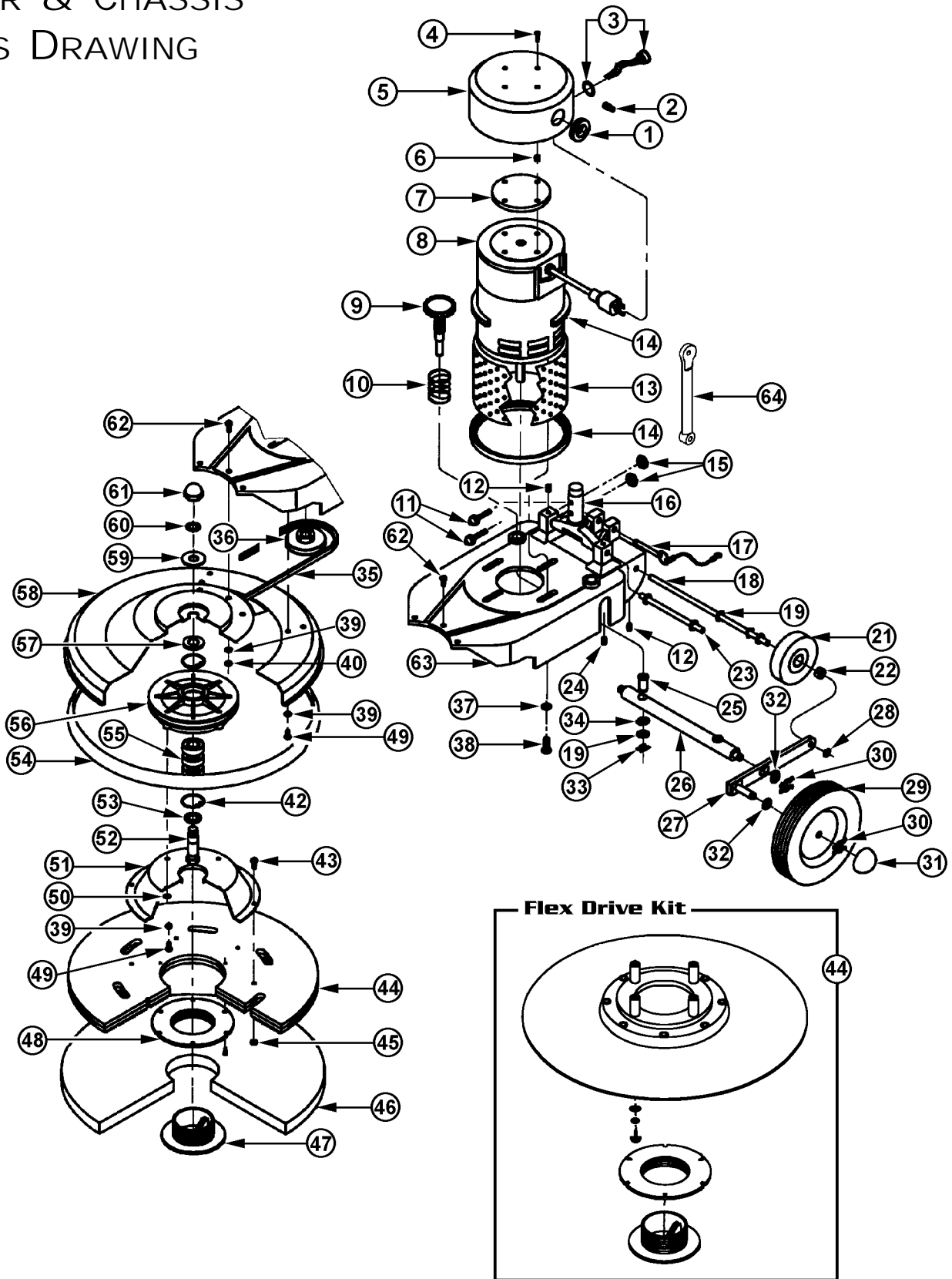
HANDLE ASSEMBLY REPLACEMENT PARTS LIST

1500 RPM BURNISHER REPLACEMENT PARTS LIST

Ref No	Part Description	Qty	Part No
	Handle Assembly	1	368393
1	Ribbed Handle Grip	2	324744
2	Handle Bar	1	376612
3	Switch Box Cover	1	376647
4	#12-24 Hex Nut	3	376744
5	Trigger Pin	2	376701
6	Roll Pin	4	383139
7	Extension Spring	2	376671
8	#8-32 X 1/4" Screw	3	367389
9	Leaf Spring	1	335584
10	Flag Terminal	2	379166
11	Switch	1	469629
12	#6-32 X 1" Switch Screw	2	335576
13	Internal Tooth Washer	2	355224
14	Trigger Lock Spring	2	383147
15A	Plastic Trigger	2	385654
15B	Plastic Trigger Kit	1	386839
16	Trigger Lock	2	390119
17	Reinforcing Plate	2	387169
18	#6-32 X 1/4" Screw	4	349402
19	#12-24 X 1 7/16" Screw	5	376760
20	#12-24 X 1/2" Screw	2	312746
21	Switch Box	1	376620
22	Cord Clamp	1	342890
23	Brass Bushing	1	390348
24	Complete Strain Relief	1	352705
25	Wire Connector (Yellow)	1	350648
26	Cord Hook	2	352845
27	Pop Rivet	4	318892
28	50 Ft, 14-3 Power Cord	1	376809
29	Handle Tube	1	376787
30	14-3 Handle Cable	1	430927
31	Grey Sleeve Connector	1	355844
32	Grommet	1	435252
33	Cap	1	380555
34	Lever Pin	1	382434
35A	Clamp Lever	1	380520
35B	Clamp Lever Kit (#37 - 38)	1	373249
35C	Clamp Lever Kit w/U-Clamp	1	380822
36	.37-16 X 3.37" Bolt	1	380504
37	Square Hole Flat Washer	1	382426
38	Spring	2	367184
39	Wing Nut	1	380490
40	3/8" Flat Steel Washer	1	353221
41	U Clamp	1	376051



1500 RPM BURNISHER MOTOR & CHASSIS PARTS DRAWING



1500 RPM BURNISHER MOTOR & CHASSIS REPLACEMENT PARTS LIST

Ref No	Part Description	Qty	Part No	Ref No	Part Description	Qty	Part No
1	Grommet	1	369330	37	3/8" Lockwasher	4	368849
2	Electrical Wire Connector	2	385425	38	3/8-16 X 1/2" Motor Bolt	4	368830
3	Brush Wear Indicator Light	1	386448	39	1/4" Split Washer	11	342858
4	Canopy Screw	4	380059	40	Hex Nut	3	322377
5	Motor Canopy	1	385727	41	1/4-20 X 1/2" Screw	8	393916
6	Nylon Spacer	4	368784	42	Bearing Retainer Ring	2	368628
7	Canopy Foam Disc	1	368776	43	1/4-20 X 7/8" Screw	6	380857
8A	1 1/2 HP, 115V Motor (Ohio)*	1	392421	44A	Structural Foam Driver (MBS-1500E)	1	384585
8B	1 1/2 HP, 115V Motor (Imperial)*	1	385662	44B	Complete Drive Assy (MBS-1500E)	1	384267
8C	1 1/2 HP, 230V Motor (Imperial)*	1	374539	44C	Flex Drive Assembly (MBS-1500EF)	1	307491
9	Adjusting Shaft & Knob Assy	2	372188	45	Nylon Lock Nut	6	380784
10	Adjusting Spring	2	390356	46	20" Burnishing Pad	1	386960
11	5/16-18 X 1 1/2" Handle Bolt	2	353272	47A	Center Lock Clamp	1	390402
12	5/16-18 X 1/2" Set Screw	4	352861	47B	Center Lock Assembly	1	312827
13	Perforated Motor Screen	1	368814	48	Center Lock Base	1	390410
14	Perforated Screen Bumper	2	368822	49	1/4-20 X 1/2" Screw	8	393916
15	5/16-18 Hex Nut	2	354791	50	Steel Washer	6	315435
16	"T" Casting	1	387312	51	Drive Pad Adaptor (MBS-1500E)	1	384607
17	Speed Pin Wire Assembly	1	345512	52	Bearing Bolt	1	374954
18	Axle Shaft	1	388807	53	Bottom Spacer (MBS-1500EF)	1	379344
19	3/8" Flat Washer	4	353221	54	Apron Bumper	1	368490
20	Spring Washer	3	353248	55	Bearing	3	368555
21	4" Rear Wheel	2	353191	56	Sheave & Bearing Casting	1	368636
22	Collar w/Set Screw	2	388815	57	Upper End Spacer	1	374997
23	"T" Axle Shaft	1	368903	58	20" Apron	1	368482
24	5/16-18 X 3/8" Set Screw	2	390275	59	Flat Steel Washer	1	374962
25	Brass Adjusting Bushing	2	369071	60	5/8" Lockwasher	1	367249
26	Height Adjustment Rod	1	388793	61	Acorn Nut	1	375276
27	Outrigger Assembly	2	388831	62	1/4-20 X 3/4" Screw	3	342831
28	Retaining Ring	2	368946	63	Body Casting	1	385697
29	8" Rear Wheel	2	316059	64	Support Strut Casting	1	353299
30	Large "X" Retainer Washer	4	368997	N/S	Sheave Kit	1	377899
31	Hub Cap	2	319317	N/S	Carbon Brush (Ohio Motor)*	3	380083
32	1/2" Flat Washer	8	315435	N/S	Carbon Brush (Ohio Motor)*	1	316954
33	Small "X" Retainer Washer	2	371289	N/S	Carbon Brush Set (Imperial Mtr)*	1	386790
34	Retaining Ring	2	369098	N/S	Rectifier Only	1	341991
35	V-Belt	1	388661	N/S	Rectifier w/Compound	1	378321
36	Motor Pulley	1	388653				

*Burnishes equipped with Ohio Motors have an "X" after the serial number

1500 RPM BURNISHER HANDLE ASSEMBLY DRAWING

